

**Metrotile**<sup>®</sup>  
worldwide roofing systems

**Bond**\*

\* Not available in US, Canada and Mexico

**A traditional and attractive roof with timeless effect**

The Bond provides traditional beavertail clay tile aesthetics without the concerns of heavy weight and tile breakage. Eight pans combine in a single panel, thereby providing maximum coverage and reducing labor expense.



**WIND**



**HAIL**



**FREEZE/THAW**



**ENERGY**



**LIGHTNING**



**IMPENETRABLE**



**EARTHQUAKE**



**FIRE**

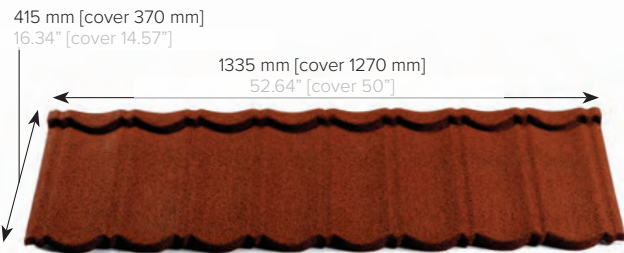
[www.metrotile.eu](http://www.metrotile.eu)



# Bond

Formed from the highest quality steel and protective coatings, the panel is incredibly strong, lightweight and weather resistant.

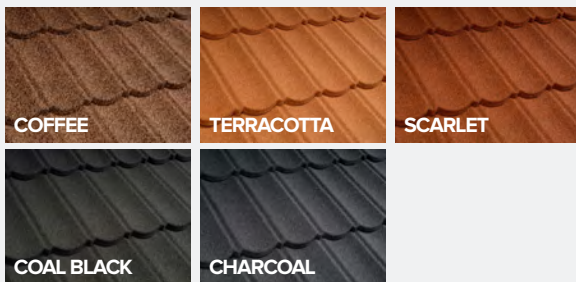
## SPECIFICATIONS



Minimum pitch	10°	2/12
Maximum pitch	90°	vertical
Size of tile - overall*	1335 x 415 mm	52.64" x 16.34"
Size of tile - cover*	1270 x 370 mm	50" x 14.57"
Gauge of steel**	0,45 mm	26 gauge
Linear cover width*	1270 mm	50"
Coverage*	2,13 pc/m <sup>2</sup>	19.77 pc/square
Coverage of a panel <sup>1</sup>	0,47 m <sup>2</sup>	5.06 ft <sup>2</sup>
Weight per panel <sup>1</sup>	2,94 kg	6.49 lb

\* With a tolerance of ± 3 mm on measurements and minimal tolerance in weight.  
 \*\* Steel thickness according to the EN 10346.

## COLORS

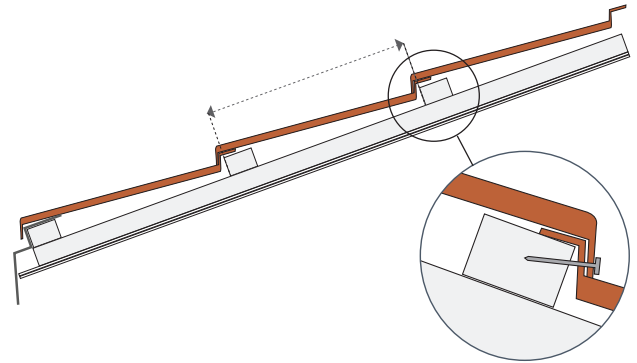


### OTHER COLORS ON REQUEST:



## INSTALLATION

Bond can be installed left to right or right to left.



The panels are placed onto battens spaced 14.5" or 368mm.

A downturned front edge (nose) and upturned rear edge (shelf) on each tile creates a strong, weatherproof, overlapping and interlocking assembly. Each tile is secured with four nails in the panel nose, away from water channels.

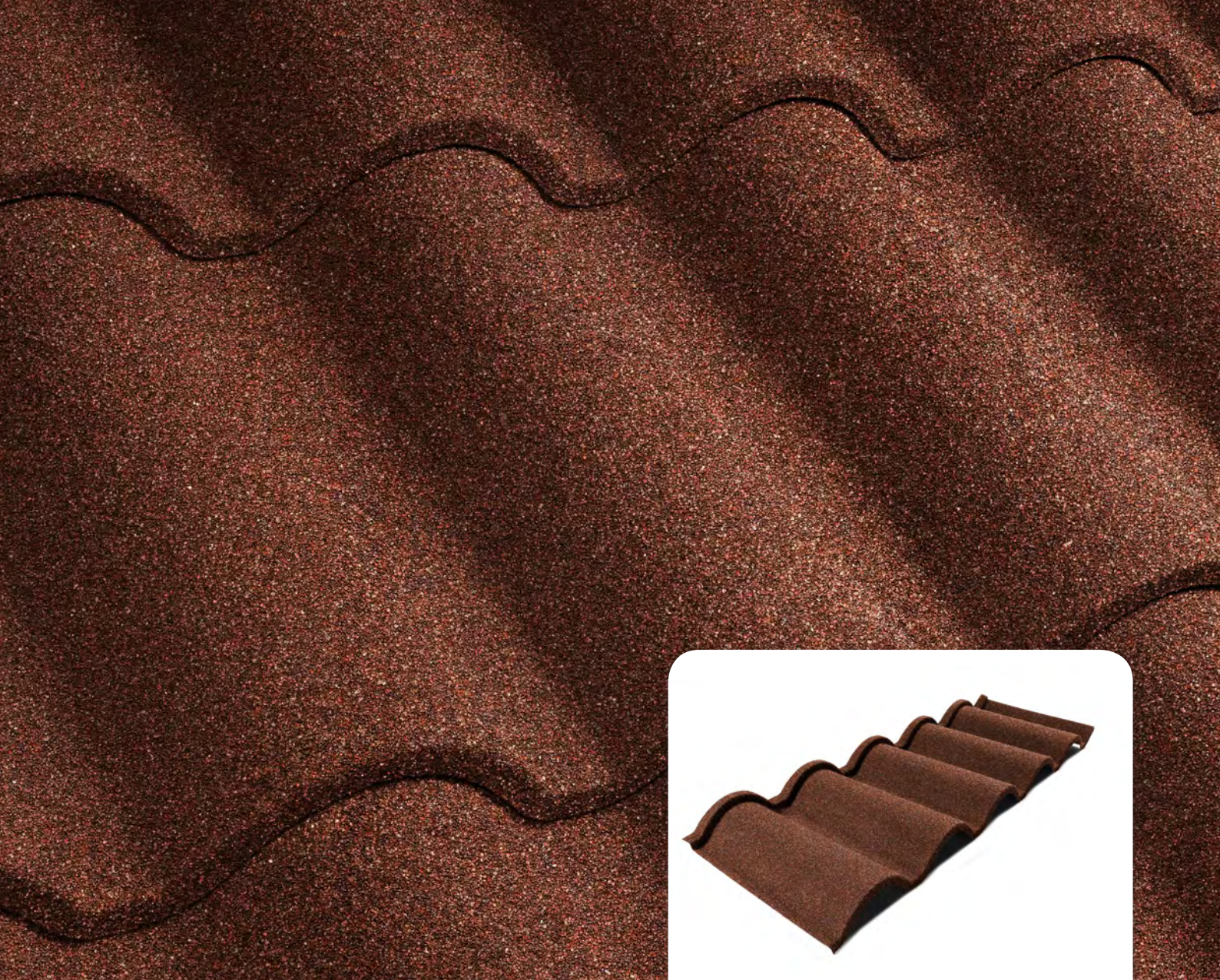
## ACCESSORIES

We offer a broad range of accessories.

- Ridges, junctions and end caps.  
Offered in angled, squared and curved profiles.
- Fascia, sidewall and headwall transition flashings.
- Ventilation systems.
- Installation Equipment: nails, benders, guillotines.  
It is important to use tools recommended by us.

For a complete and detailed list of accessories and more information regarding the installation of a Bond roof, contact your dealer.





**Metrotile**<sup>®</sup>  
worldwide roofing systems

**Venetian style benefits from 21st. century materials**

The Romana is the most unique profile offered in the metal tile industry today. Manufactured from 0,5 mm or 25 gauge corrosion resistant coated steel, Romana boasts unmatched style, strength and beauty. Crown your project today with our industry leading Romana.



**WIND**



**HAIL**



**FREEZE/THAW**



**ENERGY**



**LIGHTNING**



**IMPENETRABLE**



**EARTHQUAKE**



**FIRE**

[www.metrotile.eu](http://www.metrotile.eu)



# Romana

Formed from the highest quality steel and protective coatings, the panel is incredibly strong, lightweight and weather resistant.

## SPECIFICATIONS



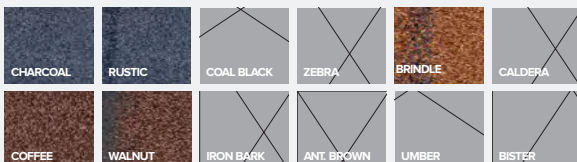
Minimum pitch	10°	2/12
Maximum pitch	90°	vertical
Size of tile - overall <sup>1</sup>	1155 x 395 mm	45.43" x 15.55"
Size of tile - cover <sup>1</sup>	1085 x 370 mm	42.72" x 14.57"
Gauge of steel <sup>2</sup>	0,50 mm	25 gauge
Linear cover width <sup>1</sup>	1085 mm	42.72"
Coverage <sup>1</sup>	2,50 pc/m <sup>2</sup>	23.27 pc/square
Coverage of a panel <sup>1</sup>	0,40 m <sup>2</sup>	4,3 ft <sup>2</sup>
Weight per panel <sup>1</sup>	2,70 kg	5.96 lb

<sup>1</sup> With a tolerance of ± 3 mm on measurements and minimal tolerance in weight.  
<sup>2</sup> Steel thickness according to the EN 10346.

## COLORS

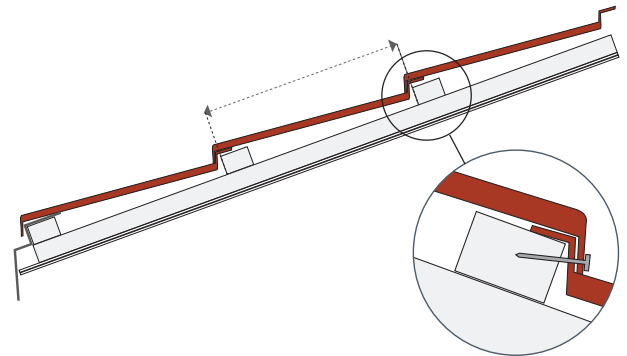


OTHER COLORS ON REQUEST:



## INSTALLATION

Romana tiles are overlapped left to right. For maximum visual appeal and performance, stagger at least one pan width.



The panels are placed onto battens spaced 368 mm or 14.5".

A downturned front edge (nose) and upturned rear edge (shelf) on each tile creates a strong, weatherproof, overlapping and interlocking assembly. Each tile is secured with 4 nails in the panel nose, away from water channels.

## ACCESSORIES

We offer a broad range of accessories.

- Ridges, junctions and end caps.  
Offered in angled, squared and curved profiles.
- Fascia, sidewall and headwall transition flashings.
- Ventilation systems.
- Installation Equipment: nails, benders, guillotines.

It is important to use tools recommended by us.

For a complete and detailed list of accessories and more information regarding the installation of a Romana roof, contact your dealer.





**Gallo**

**Metrotile**<sup>®</sup>  
worldwide roofing systems

**Classy villa appearance**

The Gallo emulates the soft, stylish rooflines reminiscent of southern European estates. As with all profiles, our steel tiles provide lightweight strength and durability uncharacteristic of traditional roofing materials.



**WIND**



**HAIL**



**FREEZE/THAW**



**ENERGY**



**LIGHTNING**



**IMPENETRABLE**



**EARTHQUAKE**



**FIRE**

[www.metrotile.eu](http://www.metrotile.eu)



Formed from the highest quality steel and protective coatings, the panel is incredibly strong, lightweight and weather resistant.

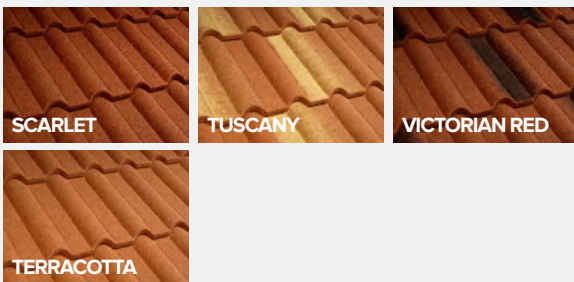
## SPECIFICATIONS



Minimum pitch	10°	2/12
Maximum pitch	90°	vertical
Size of tile - overall*	1320 x 420 mm	51.97" x 16.54"
Size of tile - cover*	1190 x 370 mm	46.81" x 14.57"
Gauge of steel**	0,45 mm	26 gauge
Linear cover width*	1190 mm	46.81"
Coverage*	2,27 pc/m <sup>2</sup>	21.12 pc/square
Coverage of a panel*	0,44 m <sup>2</sup>	4.74 ft <sup>2</sup>
Weight per panel*	2,88 kg	6.35 lb

\* With a tolerance of ± 3 mm on measurements and minimal tolerance in weight.  
\*\* Steel thickness according to the EN 10346.

## COLORS

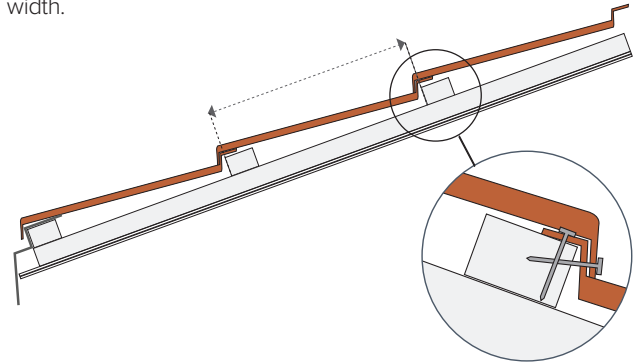


### OTHER COLORS ON REQUEST:



## INSTALLATION

Gallo can be installed left to right or right to left. For maximum visual appeal and performance, stagger at least one pan width.



The panels are placed onto battens spaced 368 mm or 14.5".

A downturned front edge (nose) and upturned rear edge (shelf) on each tile creates a strong, weatherproof, overlapping and interlocking assembly. Each tile is secured with four nails in the panel nose, away from water channels.

## ACCESSORIES

We offer a broad range of accessories.

- Ridges, junctions and end caps.  
Offered in angled, squared and curved profiles.
- Fascia, sidewall and headwall transition flashings.
- Ventilation systems.
- Installation Equipment: nails, benders, guillotines.  
It is important to use tools recommended by us.

For a complete and detailed list of accessories and more information regarding the installation of a Gallo roof, contact your dealer.



**Metrotile**<sup>®</sup>  
worldwide roofing systems

**A clean and precise appearance  
for a modern home**

The iPanel offers an excellent aesthetic and protective solution. By its vertical grooves, the iPanel gives an extra geometric precision and modern look to your house.



**WIND**



**HAIL**



**FREEZE/THAW**



**ENERGY**



**LIGHTNING**



**IMPENETRABLE**



**EARTHQUAKE**



**FIRE**

[www.metrotile.eu](http://www.metrotile.eu)



# iPanel

Formed from the highest quality steel and protective coatings, the panel is incredibly strong, lightweight and weather resistant.

## SPECIFICATIONS

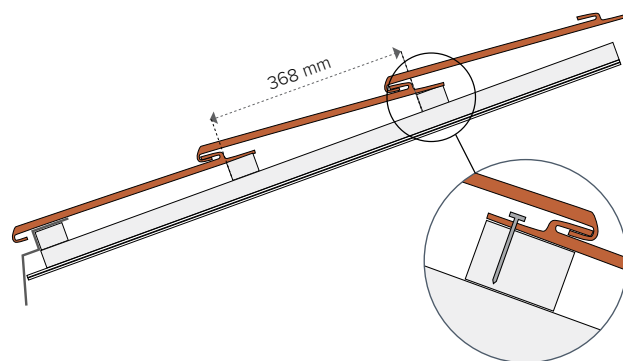


Minimum pitch	10°	2/12
Maximum pitch	90°	vertical
Size - overall*	1340 x 430 mm	52.76" x 16.93"
Size - cover*	1230 x 375 mm	48.43" x 14.76"
Gauge of steel**	0,45 mm	26 gauge
Linear cover width*	1230 mm	48.43"
Cover*	2,17 pc/m <sup>2</sup>	20.14 pc/square
Cover of a panel*	0,46 m <sup>2</sup>	4.96 ft <sup>2</sup>
Weight per panel*	3,29 kg	7.26 lb

\* With a tolerance of ± 3 mm on measurements and minimal tolerance in weight.  
\*\* Steel thickness according to the EN 10346.

## INSTALLATION

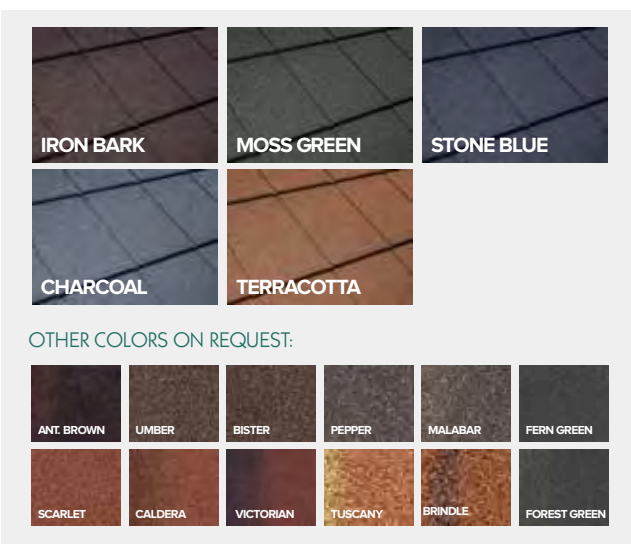
The iPanel is installed from left to right and from bottom to top.



The panels are placed onto deck or battens spaced 14.5" or 368 mm.

The panels are simply connected by the use of an interlocking groove that creates a strong, weatherproof and overlapping assembly. They are fixed onto the framework, before interlocking the panel above, so that no nail or screw heads are visible after the panels are assembled.

## COLORS



## ACCESSORIES

We offer a broad range of accessories.

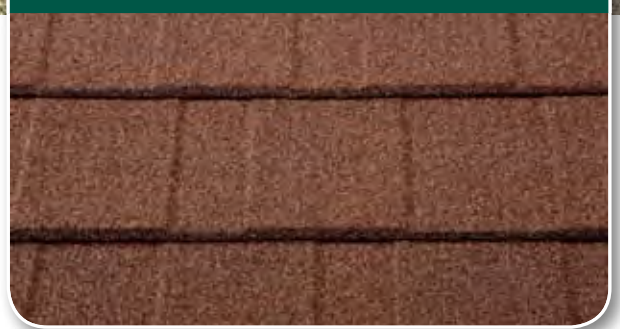
- Ridges, junctions and end caps. Offered in angled, squared and curved profiles.
- Fascia, sidewall and headwall transition flashings.
- Ventilation systems.
- Installation Equipment: nails, benders, guillotines. It is important to use tools recommended by us.

For a complete and detailed list of accessories and more information regarding the installation of a iPanel roof, contact your dealer.





## Metrotile Shingle



**Metrotile**<sup>®</sup>  
worldwide roofing systems

### The unique alternative to traditional shingle and slate

**Metrotile Shingle** coated steel tiles imitate the look of traditional flat asphalt shingles, but in lightweight, low-maintenance, long-life steel. They are available in different subtle duotone shades. These tiles are designed for use on roofs as well as vertical walls.

It is now possible to achieve a distinctive look without all the problems inherent in traditional asphalt shingles such as delaminating, lifting and general UV damage.

PRODUCT  
QUALITY  
**100%**  
GUARANTEED

Weatherproof  
guarantee  
of a  
*lifetime*





# Metrotile Shingle

Lightweight high grade steel with Aluzinc® coating for incredible strength and resistance. Suitable for all roof shapes.



## Specifications

Minimum pitch	15°
Maximum pitch	90°
Size of tile - overall	1335 x 300 mm
Size of tile - cover	1235 x 252 mm
Gauge of steel	0.450 mm
Linear cover width	1235 mm
Coverage	0.29 m <sup>2</sup> (3.2 tiles per m <sup>2</sup> )
Weight per m <sup>2</sup>	5.9 kg
Weight per tile	1.75 kg
Colours	The available Shingle standard colours are Red-Brown, Black-Brown and Brown-Black, but is also available in Charcoal, Terracotta, Red, Black, Greenstone, Coffee. Also special colours are available to order (ask your dealer for more information).

## Properties



### Lightweight

Light and easy to handle and install.



### Durable

Colour stability and protects against UV light.



### Stable

Resistance to extreme wind or earthquakes.



### Strong

Exceptional strength and resistant to damage.



### Fire proof

To be conform with the European standards

## Installation of the tiles

The tiling battens for installing the shingle tiles have to be positioned with a 250 mm spacing measured from the front batten of each batten up to the ridge.

Start at the bottom right hand side and work from right to left. Use 4 nails or screws fix each shingle tile to the roof batten. If possible, use the cut-off from the previous to start the next course. Hook nose of upper tile into lip of tile below ensuring a tight fit. Continue with each successive course up.

At the upper course, cut the tiles to suit the ridge and attach a batten on top of the Shingle tile. Finally fix the ridge to the batten.

## More information about the installation?

Please contact your dealer.

## Accessories of the Shingle

Metrotile offers the accessories that fully integrate with the Metrotile Shingle profile.



### Side cover and gutter

For closing the edges at the side of a Metrotile Shingle roof.

Overall length:	1355 mm
Cover length:	1345 mm
Cover width:	118 mm
Depth:	20 mm



For closing the top rows of shingle tiles.

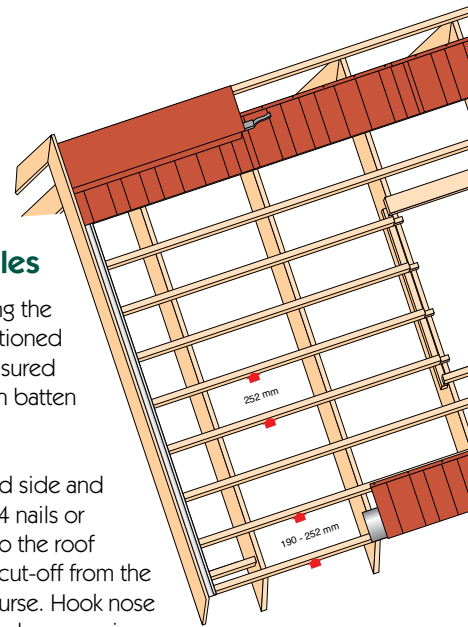
Overall length:	1355 mm
Cover length:	1345 mm
Cover width:	160 mm



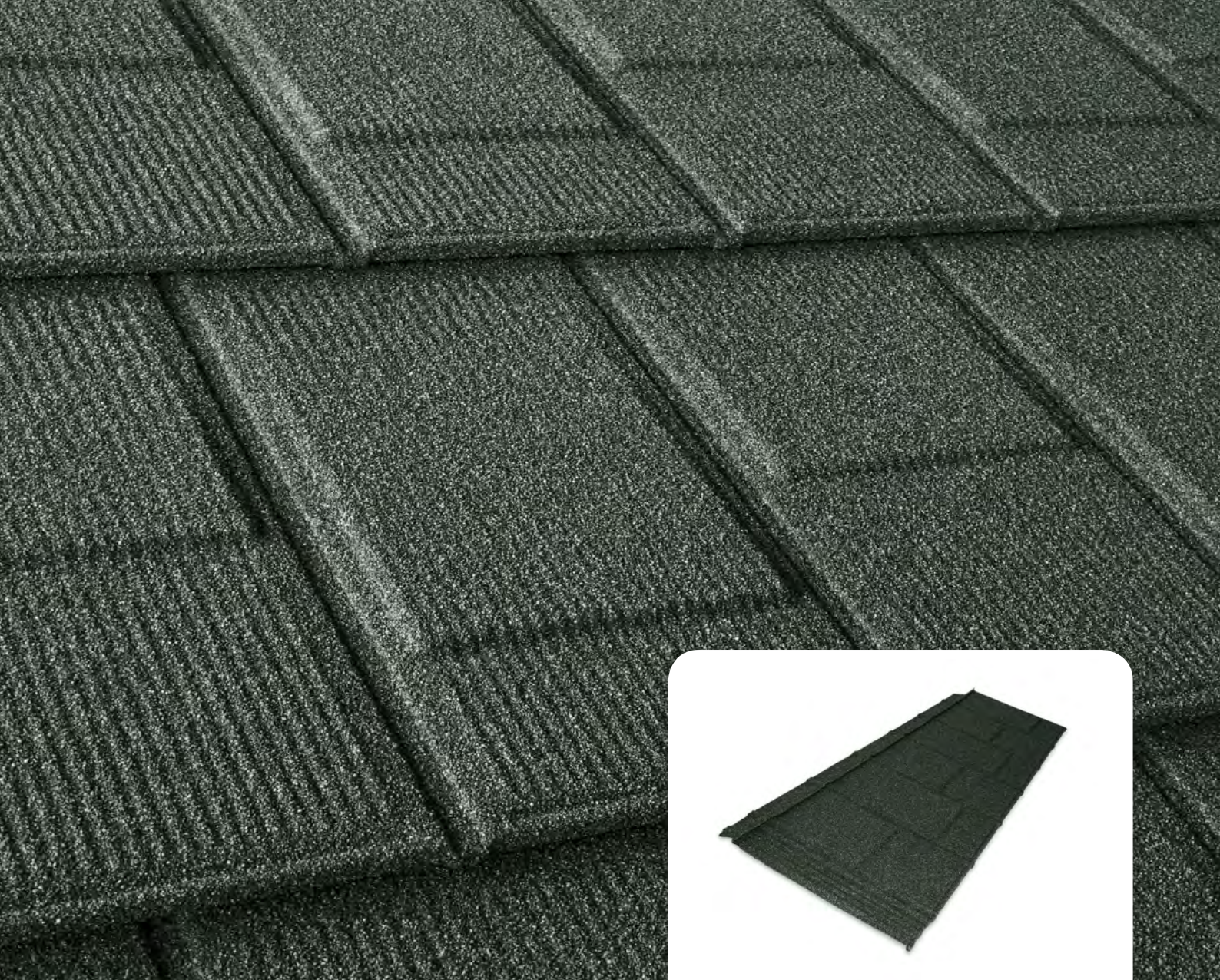
A starter profile to fix the first row of shingle tiles.

Overall length:	1355 mm
Cover width:	160 mm

For a complete and detailed list of accessories and more information regarding the installation of a Metrotile roof, contact your dealer.







**Metrotile**<sup>®</sup>  
worldwide roofing systems

**A wood shingle aesthetic without  
the fire risk**

Beauty is not the only benefit of the iShingle these interlocking steel shingles are fire, hail and wind resistant.



**WIND**



**HAIL**



**FREEZE/THAW**



**ENERGY**



**LIGHTNING**



**IMPENETRABLE**



**EARTHQUAKE**



**FIRE**

[www.metrotile.eu](http://www.metrotile.eu)



# iShingle

Formed from the highest quality steel and protective coatings, the panel is incredibly strong, lightweight and weather resistant.

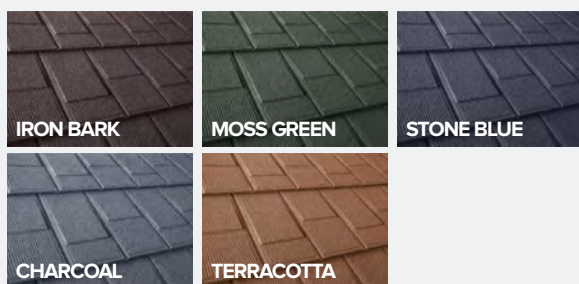
## SPECIFICATIONS



Minimum pitch	10°	2/12
Maximum pitch	90°	vertical
Size - overall*	1340 x 430 mm	52.76" x 16.93"
Size - cover*	1230 x 375 mm	48.43" x 14.76"
Gauge of steel**	0,45 mm	26 gauge
Linear cover width*	1230 mm	48.43"
Cover*	2,17 pc/m <sup>2</sup>	20.14 pc/square
Cover of a panel*	0,46 m <sup>2</sup>	4.96 ft <sup>2</sup>
Weight per panel*	3,29 kg	7.26 lb

\* With a tolerance of ± 3 mm on measurements and minimal tolerance in weight.  
\*\* Steel thickness according to the EN 10346.

## COLORS

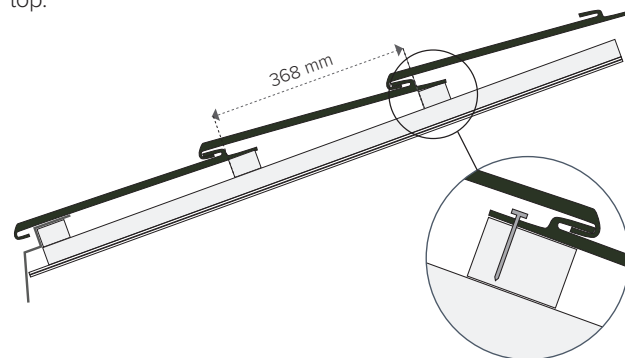


### OTHER COLORS ON REQUEST:



## INSTALLATION

The iShingle is installed from right to left and from bottom to top.



The panels are placed onto deck or battens spaced 14.5" or 368 mm.

The panels are simply connected by the use of an interlocking groove that creates a strong, weatherproof and overlapping assembly. They are fixed onto the framework, before interlocking the panel above, so that no nail or screw heads are visible after the panels are assembled.

## ACCESSORIES

We offer a broad range of accessories.

- Ridges, junctions and end caps.  
Offered in angled, squared and curved profiles.
- Fascia, sidewall and headwall transition flashings.
- Ventilation systems.
- Installation Equipment: nails, benders, guillotines.  
It is important to use tools recommended by us.

For a complete and detailed list of accessories and more information regarding the installation of a iShingle roof, contact your dealer.